

TYPE OF CAR
GIULIETTA
GIULIA 1300/1600
up to 1968 model included

UNIT
Ignition system and
engine electric &
indicating devices

Alfa Romeo

DIREZIONE ASSISTENZA

Information Sheet

DATE
1/4/969

SEQUENT NUMBER

05.69.1.1

SHEET

1/2

05

BOSCH STARTING MOTOR

The starting motor, P.N. 105.41.05.030.00, now supersedes the old one P.N. 105.00.05.030.03.

The motors are perfectly interchangeable, the only difference being the number of mounting flange holes.

The third hole in mounting flange of new motor will not be used on installation.

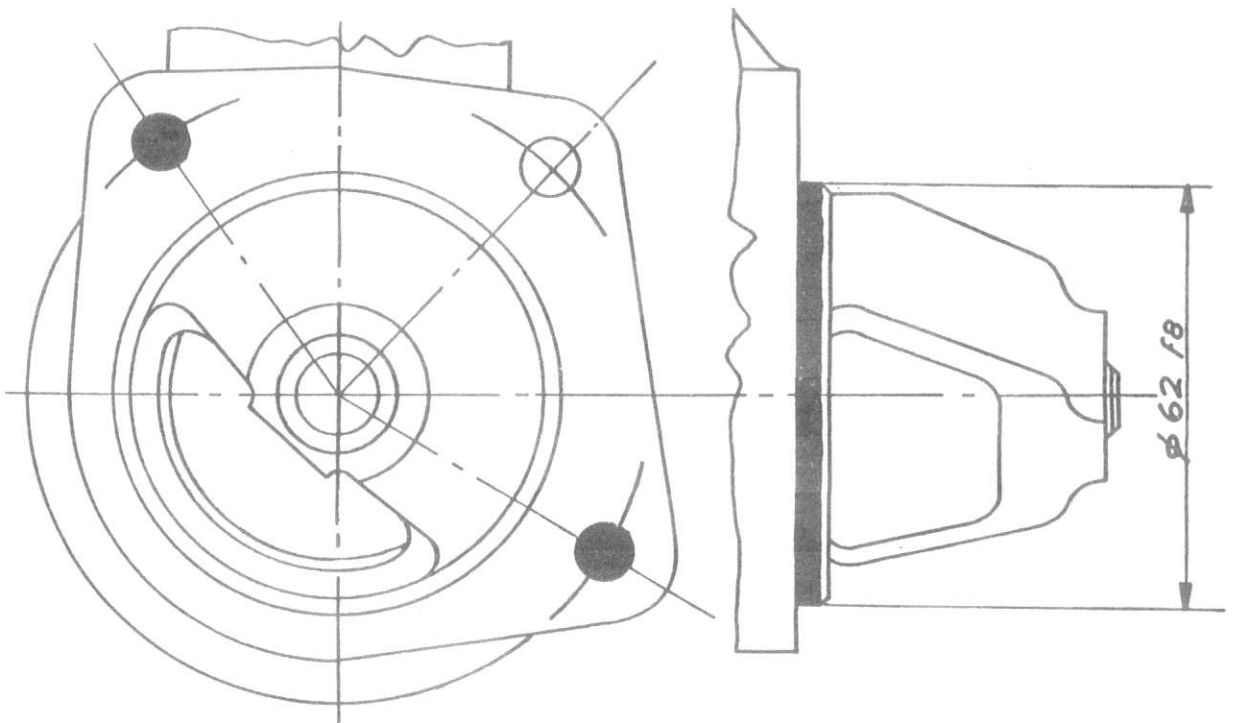
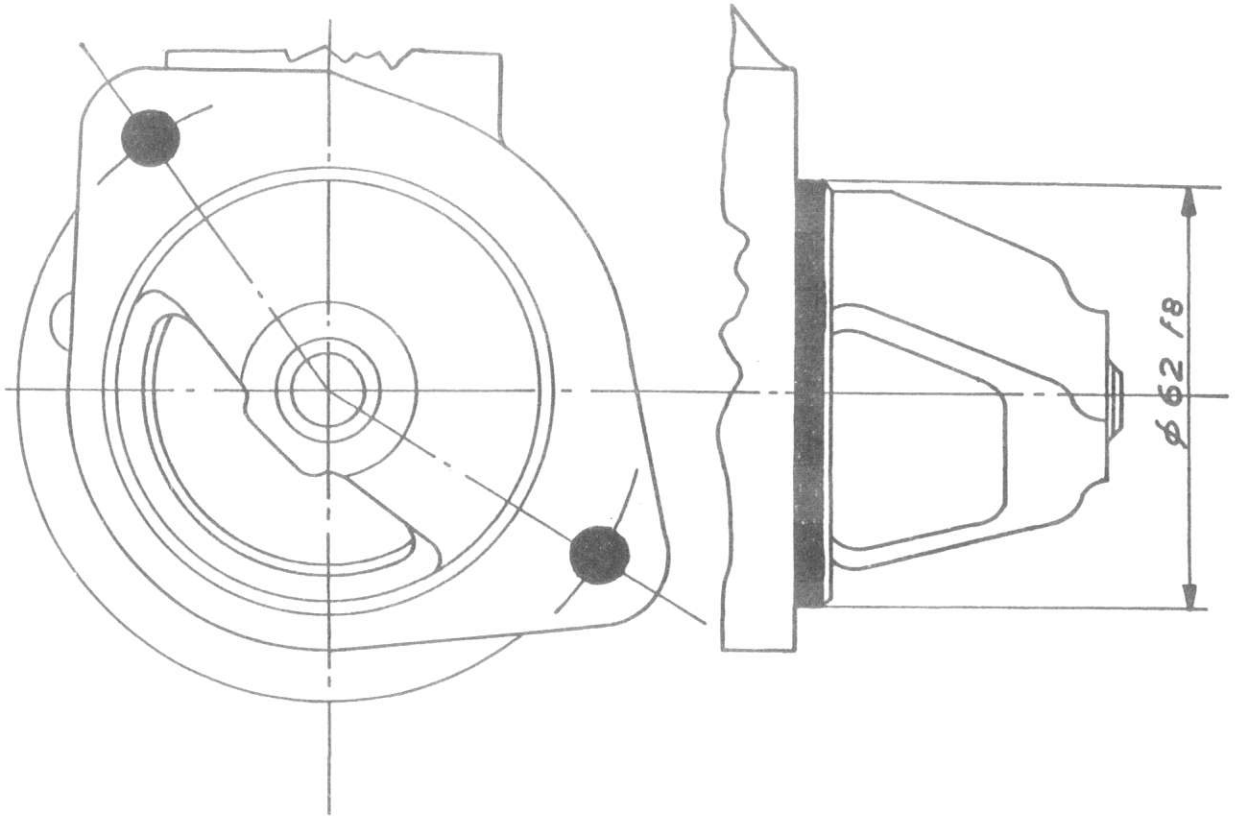
When the 62 mm dia. collar fits properly the seat (see figure), the starting motor will correctly be centered in place.

Parts required:

Starting motor P.N. 105.41.05.030.00

Time required: 75 centesimal minutes

105.00.05.030.03 Deleted



105.41.05.030.00 (supersedes P.N. 105.00.05.030.03)